

Stand-up merry-go-round KO182K (mean 1,8 m) - metal

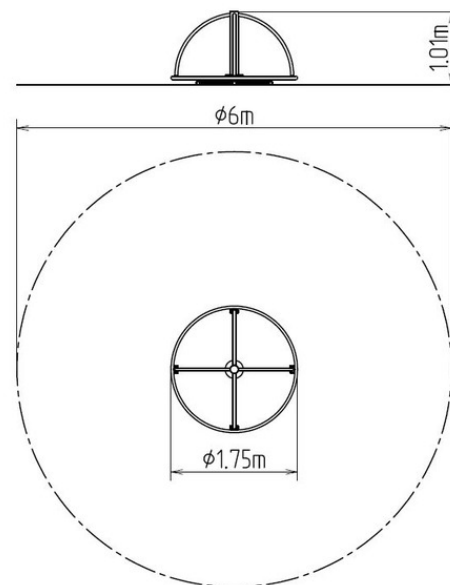
Product type KO-182K-10

Basic information

Age category	2 - 15 years
Minimum area	6 m x 6 m
Equipment measurements	1,75 m x 1,75 m x 1,01 m
Free fall height:	0,2 m
Load capacity:	378 kg
Max. number of users:	7
Fall zone: EN 1177	null
Designation:	exterior
Availability of spare parts:	supplied by the
Certificate of Compliance:	ČSN EN 1176 - 1, 5

Material

Metal units - structural steel, non-slip sheet metal



Finish

null
null

Description

The merry-go-round is welded from steel pipes and square profiles. All metal units are protected against corrosion by zinc coating, resulting in a very prolonged service life of the workout elements, and coating with baked paint KOMAXIT according to the RAL colour system. The structures are fixed in a concrete bed. The roundabout is constructed with durability and long life in mind. The platform is made from a non-slip sheet metal. All fastening material is galvanized or stainless steel.