

## Parallel bars BR101KW - brown (f.h. 1 m)

Product type BR-101KW-10

### Basic information

Age category	3 - 15 years
Minimum area	4,5 m x 3,7 m
Equipment measurements	1,5 m x 0,7 m x 1,11 m
Free fall height:	1 m
Load capacity:	54 kg
Max. number of users:	1
Fall zone: EN 1177	null
Designation:	exterior
Availability of spare parts:	supplied by the
Certificate of Compliance:	ČSN EN 1176 - 1

### Material

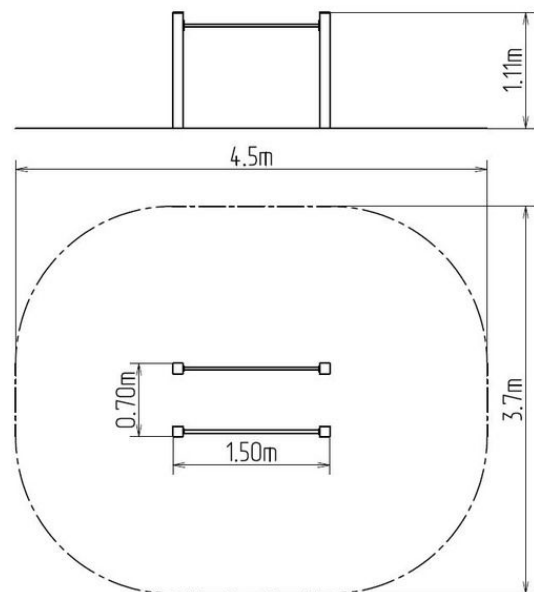
Metal units - structural steel

### Finish

null  
null

### Description

The parallel bar support structure is made from structural steel which is protected against corrosion by zinc coating, resulting in a very prolonged service life of the workout elements, and coating with baked paint KOMAXIT according to the RAL colour system. The bars are 70 cm apart, they are metal, protected by zinc coated and treated with baked paint KOMAXIT according to the RAL colour system. The parallel bars are constructed with durability and long life in mind. All fastening material is galvanized or stainless steel.



### Equipment

We offer three color variants of the support structure - red, blue and brown.