

## Fitness rack - silver (f.h. 1 m)

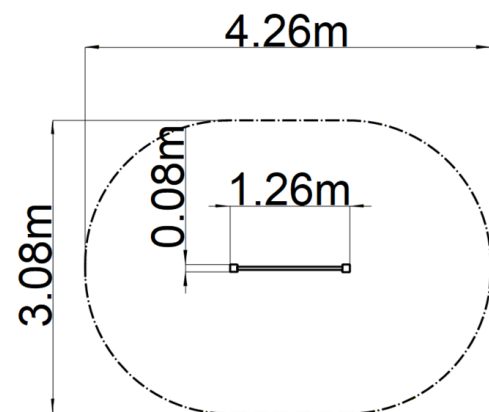
Product type HRA-8101KS-10

### Basic information

Age category	3 - 15 years
Minimum area	4,3 m x 3,1 m
Equipment measurements	1,3 m x 0,1 m x 0,96 m
Free fall height:	1 m
Max. number of users:	1
Fall zone: EN 1177	null
Certificate of Compliance:	ČSN EN 1176-1 ed.2 +A1:2026

### Material

Metal units - structural steel



### Finish

Duplex powder coated with coat curing  
Hot-dip galvanizing

### Description

The supporting structure is made of galvanized structural steel and then powder coated, and all other metal parts are made of black structural steel, sandblasted, duplex sprayed with powder coated. All fastening material is galvanized or stainless steel.

### Equipment