

Rope bridge LL101KB - blue (f.h. 1 m)

Product type LL-101KB-10

Basic information

Age category	3 - 15 years
Minimum area	5 m x 4 m
Equipment measurements	2 m x 1 m x 1,11 m
Free fall height:	1 m
Load capacity:	54 kg
Max. number of users:	1
Fall zone: EN 1177	null
Designation:	exterior
Availability of spare parts:	supplied by the
Certificate of Compliance:	ČSN EN 1176 - 1

Material

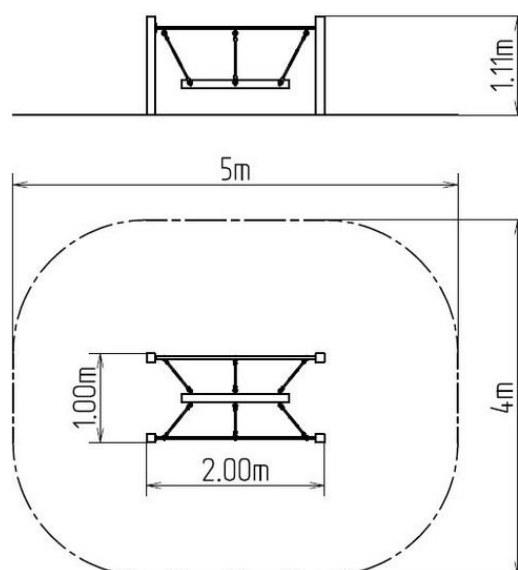
Metal units - structural steel
Ropes - polypropylene with a steel internal core

Finish

null
null

Description

The support structure of the rope bridge is made from structural steel, it is zinc coated which significantly prolongs the life of the play unit and KOMAXIT powder coated according to the RAL colour chart. The structure is fixed in a concrete bed. All other metal units are zinc coated and KOMAXIT powder coated according to the RAL. The ropes are made using HERKULES material (16 mm thick ropes made from polypropylene with a steel internal core). All fastening material is galvanized or stainless steel.



Equipment

We offer three color variants of the support structure - red, blue and brown.