

Courage trail LP201KR - red

Product type LP-201KR-10

Basic information

| | |
|------------------------------|------------------------|
| Age category | 2 - 10 years |
| Minimum area | 6,3 m x 6,5 m |
| Equipment measurements | 3,3 m x 3,47 m x 1,3 m |
| Free fall height: | 0,9 m |
| Load capacity: | 540 kg |
| Max. number of users: | 10 |
| Fall zone: EN 1177 | null |
| Designation: | exterior |
| Availability of spare parts: | supplied by the |
| Certificate of Compliance: | ČSN EN 1176 - 1, 11 |

Material

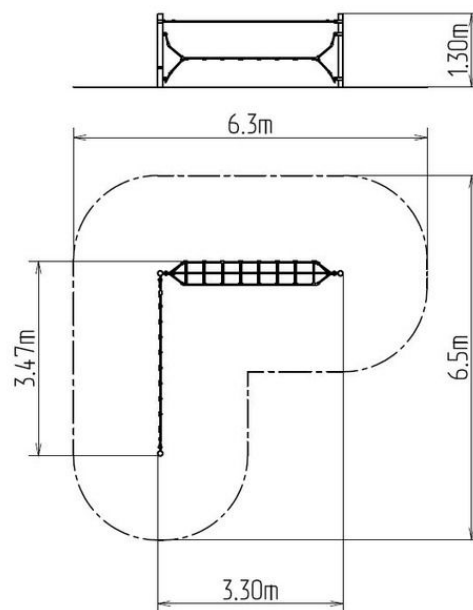
Metal units - structural steel
Ropes and nets - polypropylene with a steel internal core
Plastic units - polyamide

Finish

null
null

Description

The support structures of the rope unit are made from structural steel with a diameter of 89 mm, they are zinc coated and KOMAXIT powder coated according to the RAL colour chart and fixed in a concrete bed. The support structures can be hot-dip galvanized should the client require. The ropes are made using HERKULES material (16 mm thick ropes made from polypropylene with a steel internal core) and are connected with plastic joints. All fastening material is galvanized or stainless steel.



Equipment

We offer three color variants of the support structure - red, blue and brown.