

## Street workout element WP008BD - blue

Product type WP-008BD-15

### Basic information

Age category	Not specified
Minimum area	4,34 m x 4,95 m
Equipment measurements	1,34 m x 1,95 m x 2,51 m
Free fall height:	1,5 m
Load capacity:	78 kg
Max. number of users:	1
Fall zone: EN 1177	null
Designation:	exterior
Availability of spare parts:	supplied by the
Certificate of Compliance:	ČSN EN 16630

### Material

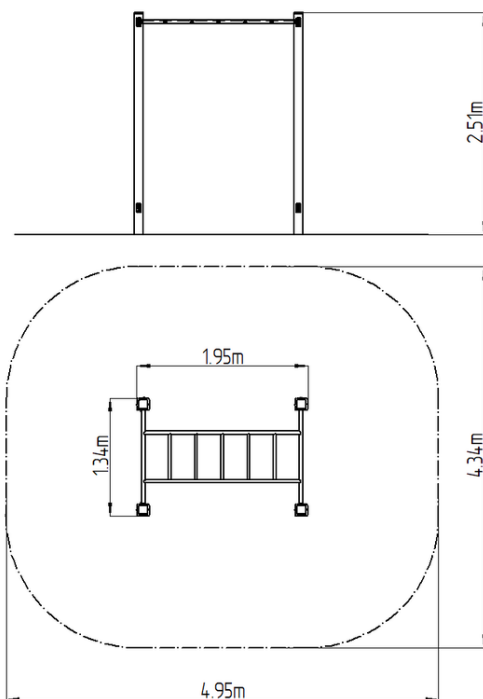
Metal units - structural steel

### Finish

null  
null

### Description

The support structure of the workout element is made of structural steel which is protected against corrosion by zinc coating, resulting in a very prolonged service life of the workout elements, and coating with baked paint KOMAXIT according to the RAL colour system. These structures are anchored to concrete footings with zinc anchors. All other metallic elements, such as handles, parallel bars etc., are also zinc coated and treated with baked paint KOMAXIT according to the RAL colour system or, if required by the customer, the elements can be made in stainless steel. All connecting material is zinc or stainless steel coated.



### Equipment

Color variants: blue-black, red-black, yellow-black, green-black, grey-black, orange-black.