



## Fitness element FP-002SL Workout machine for chest -

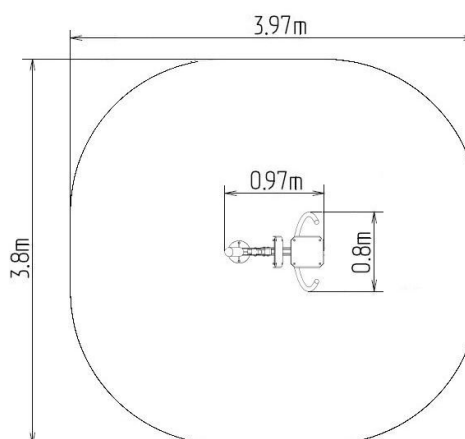
Product type FP-002ST-10

### Basic information

Age category	from 15 years
Minimum area	3,97 m x 3,8 m
Equipment measurements	0,97 m x 0,8 m x 1,94 m
Free fall height:	1.0 m
Load capacity:	120 kg
Max. number of users:	1
Fall zone: EN 1177	null
Designation:	exterior
Availability of spare parts:	supplied by the
Certificate of Compliance:	ČSN EN 16630:2016

### Material

Supporting column, handles - made of steel tubes  
Seat and backrest - HDPE



### Finish

null  
null

### Description

Seat and backrest are made of aluminum and covered with HDPE polyethylene (high-pressure, full-colored polyethylene, which is characterized by high color stability, UV resistance). The handles are made of powder-coated steel tubes. The supporting column is made of a steel tube with a mounting flange at the bottom. The seat frame and tread are made of powder coated sheet metal. Rolling bearings are used for movable connections. Holes are sealed with steel elements at the ends. All fasteners are stainless.

Functions: It works out the chest muscles, the front muscles of the shoulders, forearm, upper abdomen as well as abdomen and triceps. It improves the performance of the heart and the respiratory tract and the cardiovascular functions.

Instructions: Sit down on the seat and grasp the handles firmly. Push the handles forward and then return to the original position carefully.