



UNIVERSAL 4U131KW - brown

Product type 4U-131KW-15

Basic information

Age category	3 - 15 years
Minimum area	8,4 m x 8,5 m
Equipment measurements	5,48 m x 4,84 m x 3,63 m
Free fall height:	1,5 m
Load capacity:	378 kg
Max. number of users:	7
Fall zone: EN 1177	null, 59,5 m ²
Designation:	exterior
Availability of spare parts:	supplied by the
Certificate of Compliance:	ČSN EN 1176 - 1, 2, 3

Material

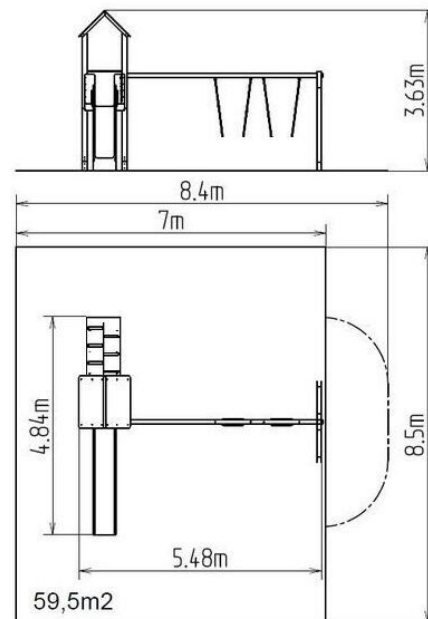
Platform - HPL
 Metal units - structural steel
 Plastic units - HDPE
 Slide - fibreglass
 Roof - HPL
 Ropes - polypropylene with a steel internal core

Finish

null
 null

Description

The support structure of the tower unit is made of structural steel which is protected against corrosion by zinc coating, resulting in a very prolonged service life of the workout elements, and coating with baked paint KOMAXIT according to the RAL colour system. All other metallic elements are also zinc coated and treated with baked paint KOMAXIT according to the RAL colour system. The slide is made from fibreglass. The surfaces of the slides, steps, etc. are made from high quality HDPE plastic (high density coloured polyethylene, which is characterised by high colour stability, UV resistance but mainly safety as it doesn't break and therefore there is no danger of injury to children by sharp fragments). The rope is made using HERKULES material (16 mm thick ropes made from polypropylene with a steel internal core). The platform is made from HPL (High-pressure laminate, which is characterised by high colour stability and water resistance). The roof is made from HPL (High-pressure laminate, which is characterised by high colour stability, UV resistance and water resistance). All fastening material is galvanized or stainless steel.



Equipment

Tower, slide, A-shaped roof, 2x barrier, sloping ramp with the rope and HDPE steps, twin chain swing.