

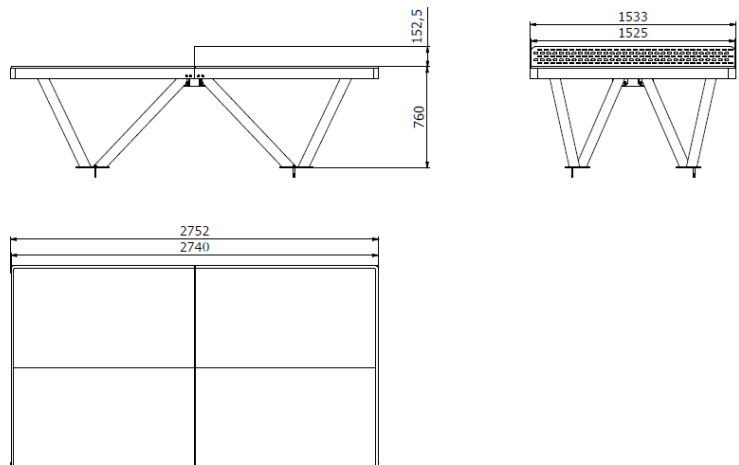


Outdoor table tennis table BS-101BB

Product type BS-101BB

Basic information

Age category	Not specified
Minimum area	5,75 m x 4,53 m
Equipment measurements	2,75 m x 1,53 m x 0,76 m
Free fall height:	m
Load capacity:	Not specified
Max. number of users:	4
Fall zone: EN 1177	null
Designation:	exterior
Availability of spare parts:	supplied by the
Certificate of Compliance:	EN 14468-1



Material

Frame and legs - structural steel
Board - HPL

Finish

null
null

Description

Table tennis is the best solution for playing table tennis outdoors. It is characterized by high resistance to frost, sun, rain and hail. Resistant to mechanical damage. It is also easy to keep clean. It does not require any maintenance procedures. It will work perfectly • in school playgrounds, • in parks, • in outdoor gyms, • in housing estates, • in recreation centers, • in hotels or guesthouses. • in the garden
Suitable for wheelchair users.

Equipment

Frame, legs, board, net.