



Chain swing RH6112KB - Blue (f.h. 1,5 m)

Product type RH-6112KB-15

Basic information

Age category	2 - 15 years
Minimum area	4,9 m x 7,5 m
Equipment measurements	1,9 m x 1,39 m x 2,31 m
Free fall height:	1,5 m
Load capacity:	54 kg
Max. number of users:	1
Fall zone: EN 1177	null, 15 m ²
Designation:	exterior
Availability of spare parts:	supplied by the
Certificate of Compliance:	ČSN EN 1176 - 1, 2

Material

Metal units - structural steel
Seat - rubber with an aluminum insert

Finish

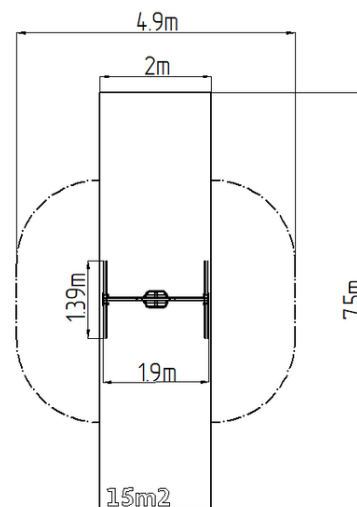
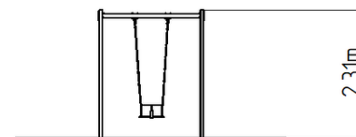
null
null

Description

The support structure of the swing is made from structural steel, which is zinc coated and KOMAXIT powder coated according to the RAL colour chart and is fixed in a concrete bed. The Normal seat is made of aluminum, covered with a soft and comfortable rubber.

The Baby seat baby is made of rubber and is reinforced with an aluminum insert. The chains are stainless steel, resulting in a very prolonged service life of the product.

All fastening material is galvanized or stainless steel.



Equipment

1x Seat Baby. We offer three color variants of the support structure - red, blue and brown.