



## Twin chain swing RH6212KW - Brown (f.h. 1,5 m)

Product type RH-6212KW-15

### Basic information

Age category	2 - 15 years
Minimum area	6 m x 7,5 m
Equipment measurements	3,04 m x 1,39 m x 2,31 m
Free fall height:	1,5 m
Load capacity:	108 kg
Max. number of users:	2
Fall zone: EN 1177	null, 22,5 m <sup>2</sup>
Designation:	exterior
Availability of spare parts:	supplied by the
Certificate of Compliance:	ČSN EN 1176 - 1, 2

### Material

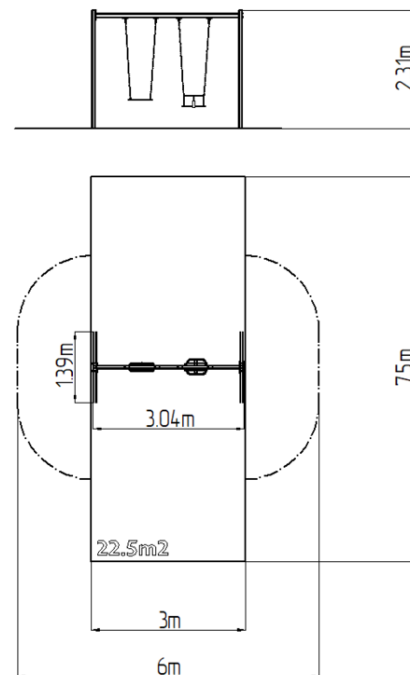
Metal units - structural steel  
 Seat Normal - aluminum, covered with a rubber  
 Seat Baby - rubber with an aluminum insert

### Finish

null  
 null

### Description

The support structure of the swing is made from structural steel, which is zinc coated and KOMAXIT powder coated according to the RAL colour chart and is fixed in a concrete bed. The Baby seat is made of rubber and is reinforced with an aluminum insert. The Normal seat is made of aluminum, covered with a soft and comfortable rubber. The chains are stainless steel, resulting in a very prolonged service life of the product. All fastening material is galvanized or stainless steel.



### Equipment

1x Seat Baby, 1x Seat Normal. We offer three color variants of the support structure - red, blue and brown.