

Twin chain swing RH6221KW - Brown (f.h. 1,0 m)

Product type RH-6221KW-10

Basic information

| | |
|------------------------------|-------------------------|
| Age category | 2 - 15 years |
| Minimum area | 7,9 m x 7 m |
| Equipment measurements | 4,9 m x 1,12 m x 1,81 m |
| Free fall height: | 1,0 m |
| Load capacity: | 324 kg |
| Max. number of users: | 6 |
| Fall zone: EN 1177 | null |
| Designation: | exterior |
| Availability of spare parts: | supplied by the |
| Certificate of Compliance: | ČSN EN 1176 - 1, 2 |

Material

Metal units - structural steel
 The "Bird's Nest" seat - polypropylene rope with heavy duty fibres
 The hanging ropes - polypropylene with a steel internal core
 Seat Normal - aluminum, covered with a rubber

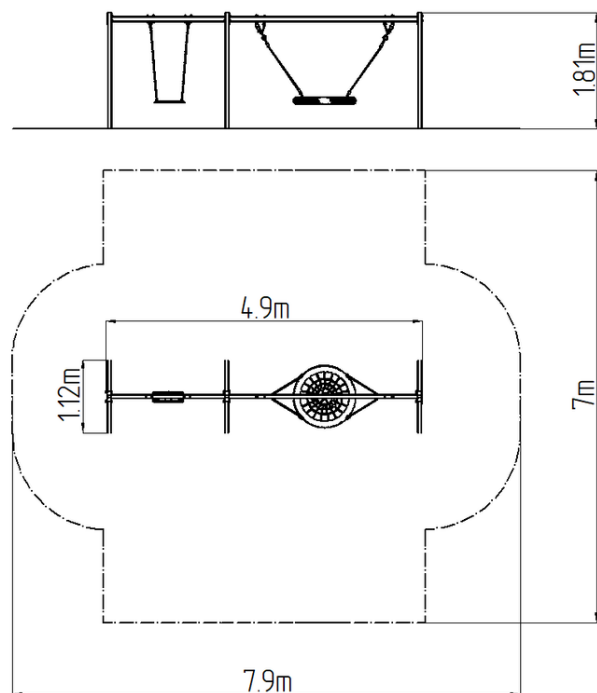
Finish

null
 null

Description

The support structure of the swing is made from structural steel, which is zinc coated and KOMAXIT powder coated according to the RAL colour chart and is fixed in a concrete bed.

The swing is hung on a metal girder using galvanized chains. The "Bird's Nest" seat is made from polypropylene rope with heavy duty fibres. The hanging ropes are made using HERKULES material (16 mm thick ropes made from polypropylene with a steel internal core). The Normal seat is made of aluminum, covered with a soft and comfortable rubber. All fastening material is galvanized or stainless steel.



Equipment

1x The "Bird's Nest", 1x Normal seat.
 We offer three color variants of the support structure - red, blue and brown.