

## Twin chain swing RH6221KR - rot (f.h. 1,5 m)

Product type RH-6221KR-15

### Basic information

Age category	2 - 15 years
Minimum area	7,9 m x 7,5 m
Equipment measurements	4,9 m x 1,39 m x 2,31 m
Free fall height:	1,5 m
Load capacity:	324 kg
Max. number of users:	6
Fall zone: EN 1177	null, 37,5 m <sup>2</sup>
Designation:	exterior
Availability of spare parts:	supplied by the
Certificate of Compliance:	ČSN EN 1176 - 1, 2

### Material

Metal units - structural steel  
 The "Bird's Nest" seat - polypropylene rope with heavy duty fibres  
 The hanging ropes - polypropylene with a steel internal core  
 Seat Normal - aluminum, covered with a rubber

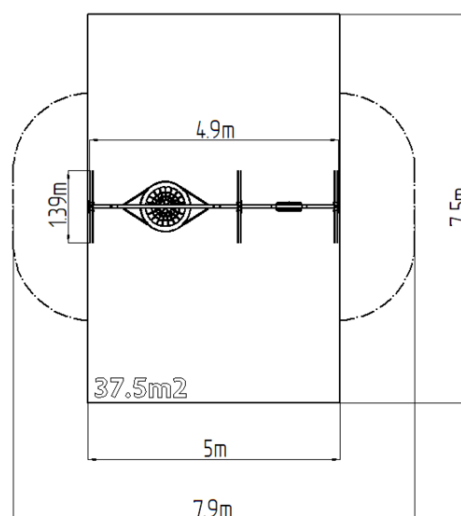
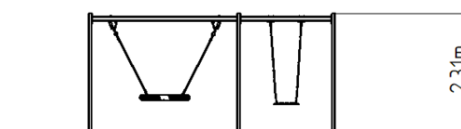
### Finish

null  
 null

### Description

The support structure of the swing is made from structural steel, which is zinc coated and KOMAXIT powder coated according to the RAL colour chart and is fixed in a concrete bed.

The swing is hung on a metal girder using galvanized chains. The "Bird's Nest" seat is made from polypropylene rope with heavy duty fibres. The hanging ropes are made using HERKULES material (16 mm thick ropes made from polypropylene with a steel internal core). The Normal seat is made of aluminum, covered with a soft and comfortable rubber. All fastening material is galvanized or stainless steel.



### Equipment

1x The "Bird's Nest", 1x Normal seat.  
 We offer three color variants of the support structure - red, blue and brown.