

Twin chain swing RH6222KW - Brown (f.h. 1 m)

Product type RH-6222KW-10

Basic information

Age category	2 - 15 years
Minimum area	7,9 m x 7 m
Equipment measurements	4,9 m x 1,12 m x 1,81 m
Free fall height:	1,0 m
Load capacity:	324 kg
Max. number of users:	6
Fall zone: EN 1177	null
Designation:	exterior
Availability of spare parts:	supplied by the
Certificate of Compliance:	ČSN EN 1176 - 1, 2

Material

Metal units - structural steel
 The "Bird's Nest" seat - polypropylene rope with heavy duty fibres
 The hanging ropes - polypropylene with a steel internal core
 Seat - rubber with an aluminum insert

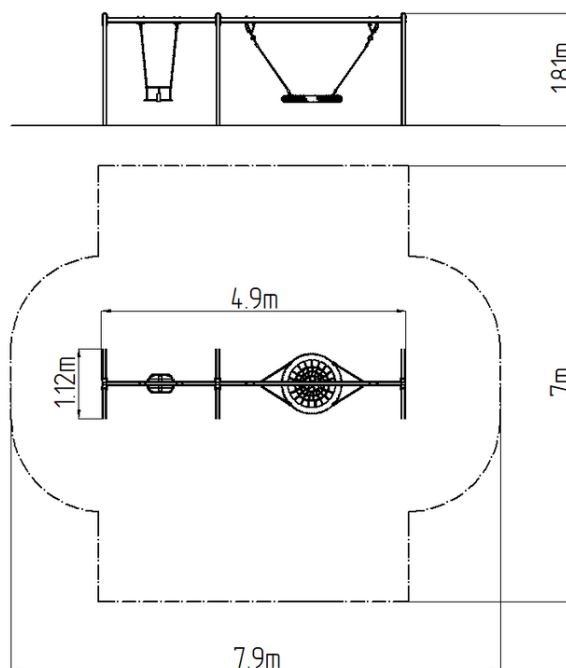
Finish

null
 null

Description

The support structure of the swing is made from structural steel, which is zinc coated and KOMAXIT powder coated according to the RAL colour chart and is fixed in a concrete bed.

The swing is hung on a metal girder using galvanized chains. The "Bird's Nest" seat is made from polypropylene rope with heavy duty fibres. The hanging ropes are made using HERKULES material (16 mm thick ropes made from polypropylene with a steel internal core). The Baby seat baby is made of rubber and is reinforced with an aluminum insert. All fastening material is galvanized or stainless steel.



Equipment

1x The "Bird's Nest", 1x Baby seat.
 We offer three color variants of the support structure - red, blue and brown.