



## Table football BS-105KS - silver

Product type BS-105KS

### Basic information

|                              |                         |
|------------------------------|-------------------------|
| Age category                 | from 0 years            |
| Minimum area                 | 4,5 m x 3,8 m           |
| Equipment measurements       | 1,5 m x 0,76 m x 0,87 m |
| Free fall height:            | m                       |
| Load capacity:               | Not specified           |
| Max. number of users:        | 4                       |
| Fall zone: EN 1177           | null                    |
| Designation:                 | exterior                |
| Availability of spare parts: | supplied by the         |
| Certificate of Compliance:   |                         |

### Material

Metal parts - structural steel  
Plastics - HDPE  
Board - HPL

### Finish

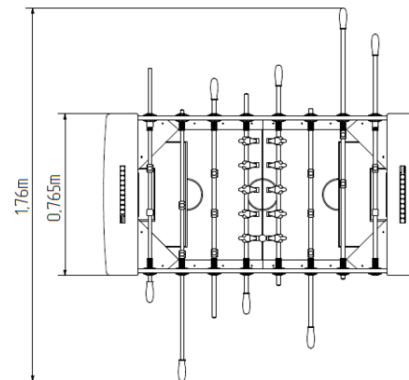
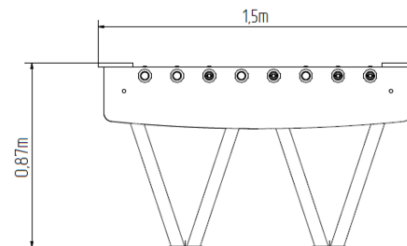
null  
null

### Description

The support structure is made of structural steel which is protected against corrosion by zinc coating, resulting in a very prolonged service life of the workout elements, and coating with baked paint KOMAXIT according to the RAL colour system.

The plastics is made from high quality HDPE plastic (high density coloured polyethylene, which is characterised by high colour stability, UV resistance but mainly safety as it doesn't break and therefore there is no danger of injury to children by sharp fragments).

All fastening material is galvanized or stainless steel.



### Equipment

Available in various color combinations.