



Table football BS-105KR - Red

Product type BS-105KR

Basic information

Age category	from 0 years
Minimum area	4,5 m x 3,8 m
Equipment measurements	1,5 m x 0,76 m x 0,87 m
Free fall height:	m
Load capacity:	Not specified
Max. number of users:	4
Fall zone: EN 1177	null
Designation:	exterior
Availability of spare parts:	supplied by the
Certificate of Compliance:	

Material

Metal parts - structural steel
Plastics - HDPE
Board - HPL

Finish

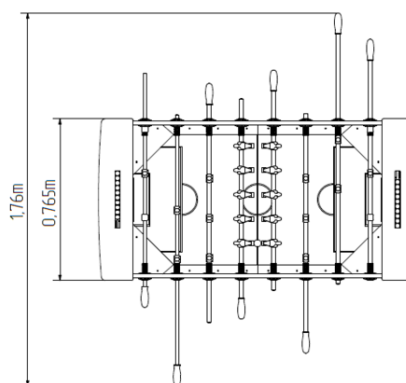
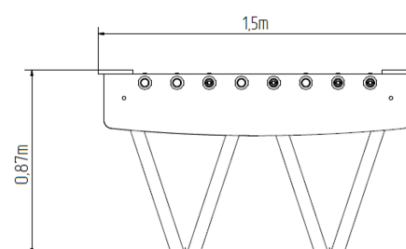
null
null

Description

The support structure is made of structural steel which is protected against corrosion by zinc coating, resulting in a very prolonged service life of the workout elements, and coating with baked paint KOMAXIT according to the RAL colour system.

The plastics is made from high quality HDPE plastic (high density coloured polyethylene, which is characterised by high colour stability, UV resistance but mainly safety as it doesn't break and therefore there is no danger of injury to children by sharp fragments).

All fastening material is galvanized or stainless steel.



Equipment

Available in various color combinations.