

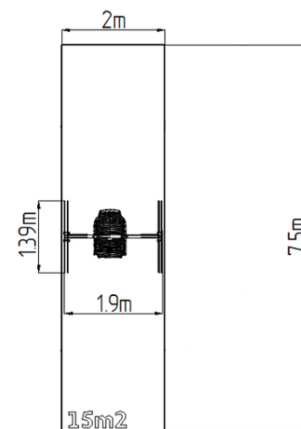
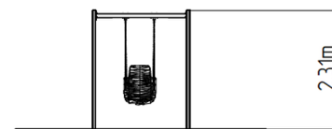


Chain swing RH6114KR - Red (f.h. 1,5 m)

Product type RH-6114KR-15

Basic information

Age category	2 - 15 years
Minimum area	2 m x 7,5 m
Equipment measurements	1,9 m x 1,39 m x 2,31 m
Free fall height:	1,5 m
Max. number of users:	1
Fall zone: EN 1177	null, 15 m ²
Certificate of Compliance:	ČSN EN 1176-1 ed.2 +A1:2024 ČSN EN 1176-2 ed.2:2018



Material

Metal units - structural steel
Seat - HDPE

Finish

Duplex powder coated with coat curing
Hot-dip galvanizing

Description

The support structure of the swing is made from structural steel, which is zinc coated or duplex powder coated with coat curing according to RAL to prevent corrosion and is fixed in a concrete bed. The inclusive seat is made of HDPE with shock-absorbing bumper. The chains are stainless steel, resulting in a very prolonged service life of the product. All fastening material is galvanized or stainless steel.

Equipment

1x Seat Inclusive. We offer three color variants of the support structure - red, blue and brown.