

## Double seat seesaw on spring HPV1002KE - lime

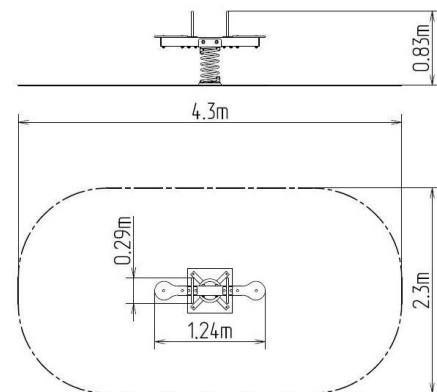
Product type HPV-1002KE-10

### Basic information

Age category	2 - 10 years
Minimum area	4,3 m x 2,3 m
Equipment measurements	1,24 m x 0,29 m x 0,83 m
Free fall height:	1 m
Max. number of users:	2
Fall zone: EN 1177	null
Certificate of Compliance:	ČSN EN 1176-1 ed.2 +A1:2024 ČSN EN 1176-6 ed. 2:2018

### Material

Metal units - structural steel  
Seats - HDPE  
Spring - special spring steel



### Finish

Duplex powder coated with coat curing  
Hot-dip galvanizing

### Description

The seesaw beam is made from structural steel, which is zinc coated or duplex powder coated with coat curing according to RAL to prevent corrosion and is secured to the support spring. The spring is made from special spring steel and are duplex powder coated with coat curing according to RAL to prevent corrosion.

The seats are made from HDPE plastic (high density coloured polyethylene, which is characterised by high colour stability, UV resistance but mainly safety as it doesn't break and therefore there is no danger of injury to children by sharp fragments).

The handles are zinc coated or duplex powder coated with coat curing according to RAL to prevent corrosion. The swing is constructed with durability and long life in mind. Impacts are dampened by rubber bumpers. All fastening material is galvanized or stainless steel.