

Game set castle UNH2067KS - silver

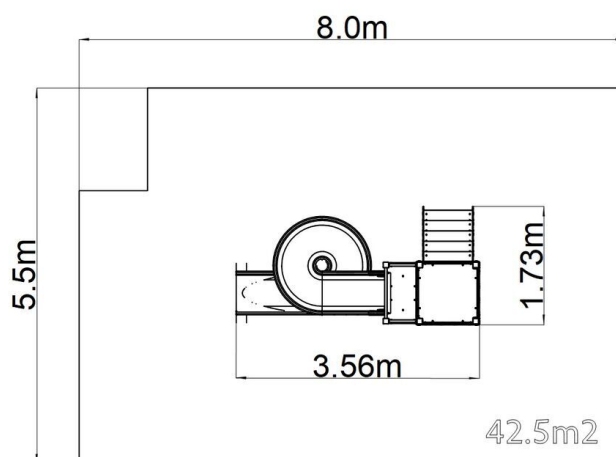
Product type UNH-2067KS-20

Basic information

Age category	3 - 15 years
Minimum area	8 m x 5,5 m
Equipment measurements	3,56 m x 1,73 m x 3,66 m
Free fall height:	2,0 m
Max. number of users:	9
Fall zone: EN 1177	null, 42,5 m ²
Certificate of Compliance:	ČSN EN 1176-1 ed.2 +A1:2024 ČSN EN 1176-3 ed.2:2018

Material

Metal units - structural steel
Climbing holds - polyester
Plastic units - HDPE, polyamide
Slides and tube slide - fibreglass
Platforms - HPL



Finish

Duplex powder coated with coat curing
Hot-dip galvanizing

Description

The supporting structure is made of galvanized structural steel and then powder coated, and all other metal parts are made of black structural steel, sandblasted, duplex sprayed with powder coated.

All other metallic elements are also zinc coated or duplex powder coated with coat curing according to RAL to prevent corrosion.

The tube slide is made from fibreglass. The surfaces of the tube slide, steps, etc. are made from high quality HDPE plastic (high density coloured polyethylene, which is characterised by high colour stability, UV resistance but mainly safety as it doesn't break and therefore there is no danger of injury to children by sharp fragments).

The platforms and vertical climbing wall are made from HPL (High-pressure laminate, which is characterised by high colour stability and water resistance). The climbing holds are made from the polyester, which ensures long life, colour preservation as well as skin friendly surface. All fastening material is galvanized or stainless steel.

Equipment

2x Tower, tube slide, sloping ramp with steps and sides, 2x barrier, battlements from HDPE, 2x vertical climbing wall on the tower, vertical pole climb.