

Playhouse - silver

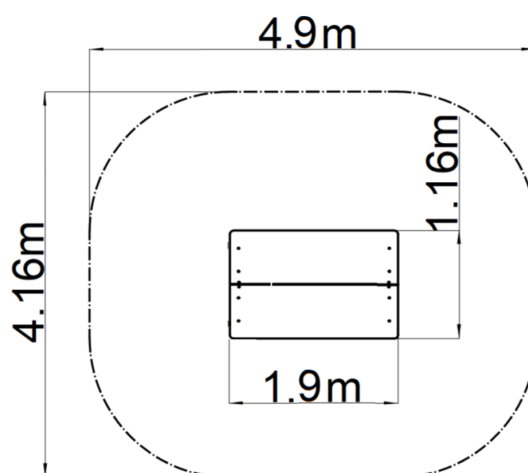
Product type DOK-6105KS-10

Basic information

Age category	0 - 10 years
Minimum area	4,9 m x 4,16 m
Equipment measurements	1,9 m x 1,16 m x 1,6 m
Free fall height:	0 m
Max. number of users:	6
Fall zone: EN 1177	null
Certificate of Compliance:	ČSN EN 1176-1 ed.2 +A1:2024

Material

Metal units - structural steel
 Plastic units - HDPE
 Roof - HPL
 The drawing - HPL



Finish

Duplex powder coated with coat curing
 Hot-dip galvanizing

Description

The support structure of the playhouse is made of structural steel which is protected against corrosion by zinc coating, resulting in a very prolonged service life of the workout elements, or duplex powder coated with coat curing according to RAL to prevent corrosion. These structures are anchored to concrete footings. All other metallic elements are also zinc coated or duplex powder coated with coat curing according to RAL to prevent corrosion.

The benches and side walls are made from high quality HDPE plastic (high density coloured polyethylene, which is characterised by high colour stability, UV resistance but mainly safety as it doesn't break and therefore there is no danger of injury to children by sharp fragments). The roof is made from HPL (High-pressure laminate, which is characterised by high colour stability, UV resistance and water resistance). All fastening material is galvanized or stainless steel.

Equipment

1x roof, 2x side wall, 2x bench, 1x abacus, 1x drawing board.