

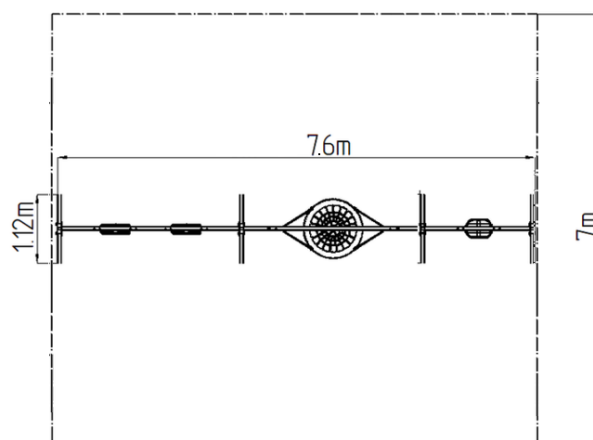
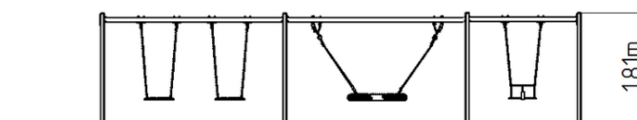


## Quadralupe chain swing - lime (f.h. 1,0 m)

Product type REH-6425KE-10

### Basic information

Age category	2 - 15 years
Minimum area	7,6 m x 7 m
Equipment measurements	7,6 m x 1,12 m x 2,31 m
Free fall height:	1,0 m
Max. number of users:	7
Fall zone: EN 1177	null
Certificate of Compliance:	ČSN EN 1176-1 ed.2 +A1:2024 ČSN EN 1176-2 ed.2:2018



### Material

Metal units - structural steel  
 The "Bird's Nest" seat - polypropylene rope with heavy duty fibres  
 The hanging ropes - polypropylene with a steel internal core  
 Seat - rubber with an aluminum insert

### Finish

Duplex powder coated with coat curing  
 Hot-dip galvanizing

### Description

The support structure of the swing is made from structural steel, which is hot-dip galvanized or duplex powder coated with coat curing according to RAL to prevent corrosion and is fixed in a concrete bed.  
 The swing is hung on a metal girder using galvanized chains. The "Bird's Nest" seat is made from polypropylene rope with heavy duty fibres. The hanging ropes are made using HERKULES material (16 mm thick ropes made from polypropylene with a steel internal core). The Normal seat is made of aluminum, covered with a soft and comfortable rubber. The Baby seat baby is made of rubber and is reinforced with an aluminum insert. All fastening material is galvanized or stainless steel.

### Equipment

2x Normal seat, 1x The "Bird's Nest", 1x Baby seat.  
 we offer four color variants of the support structure - red, blue, brown and lime.