

Double wagon - silver

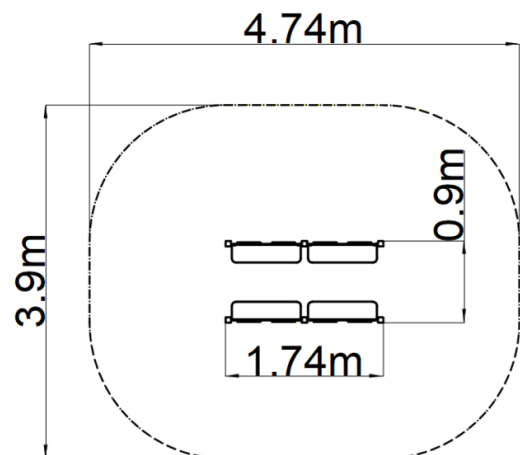
Product type VAG-6201KS-10

Basic information

Age category	0 - 10 years
Minimum area	4,74 m x 3,9 m
Equipment measurements	1,74 m x 0,9 m x 0,62 m
Free fall height:	1 m
Max. number of users:	3
Fall zone: EN 1177	null
Certificate of Compliance:	ČSN EN 1176-1 ed.2 +A1:2024

Material

Metal units - structural steel
Plastic units - HDPE



Finish

Duplex powder coated with coat curing
Hot-dip galvanizing

Description

The supporting structure is made of galvanized structural steel and then powder coated, and all other metal parts are made of black structural steel, sandblasted, duplex sprayed with powder coated. These structures are anchored to concrete footings. All other parts of the play unit are made from high quality HDPE plastic (high density coloured polyethylene, which is characterised by high colour stability, UV resistance but mainly safety as it doesn't break and therefore there is no danger of injury to children by sharp fragments). All fastening material is galvanized or stainless steel.

Equipment

4x side wall, 4x bench.