



UNIVERSAL 4U320KW - brown

Product type 4U-320KW-10

Basic information

Age category	2 - 15 years
Minimum area	7,5 m x 5 m
Equipment measurements	3,81 m x 2,07 m x 3,48 m
Free fall height:	0,9 m
Load capacity:	424 kg
Max. number of users:	8
Fall zone: EN 1177	null
Designation:	exterior
Availability of spare parts:	supplied by the
Certificate of Compliance:	ČSN EN 1176 - 1, 2, 3

Material

Platform - HPL
 Metal units - structural steel
 Plastic units - HDPE
 Slide - fibreglass
 Apertures - Plexiglass
 Flag - polyester fabric

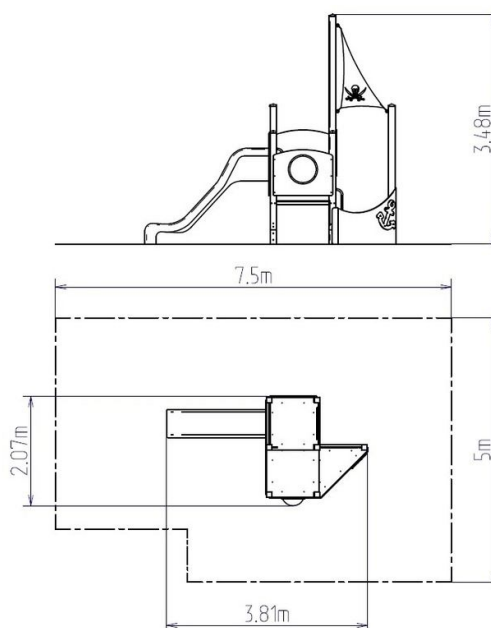
Finish

null
 Duplex powder coated with coat curing
 Hot-dip galvanizing

Description

The support structure of the tower unit is made of structural steel which is protected against corrosion by zinc coating, resulting in a very prolonged service life or duplex powder coated with coat curing according to RAL to prevent corrosion. All other metallic elements are also zinc coated or duplex powder coated with coat curing according to RAL to prevent corrosion.

The slide is made from fibreglass. The surface of the slide is made from high quality HDPE plastic (high density coloured polyethylene, which is characterised by high colour stability, UV resistance but mainly safety as it doesn't break and therefore there is no danger of injury to children by sharp fragments). The platforms are made from HPL (High-pressure laminate, which is characterised by high colour stability and water resistance). All fastening material is galvanized or stainless steel.



Equipment

3x tower, slide, 2x barrier made form HDPE with circle, barrier made form HDPE with parrot, barrier made form HDPE with aperture, bow with anchor and wave, rudder, post with a flag.