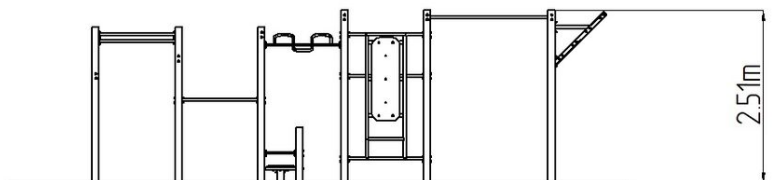


Street workout set WS022RD - red

Product type WS-022RD-15

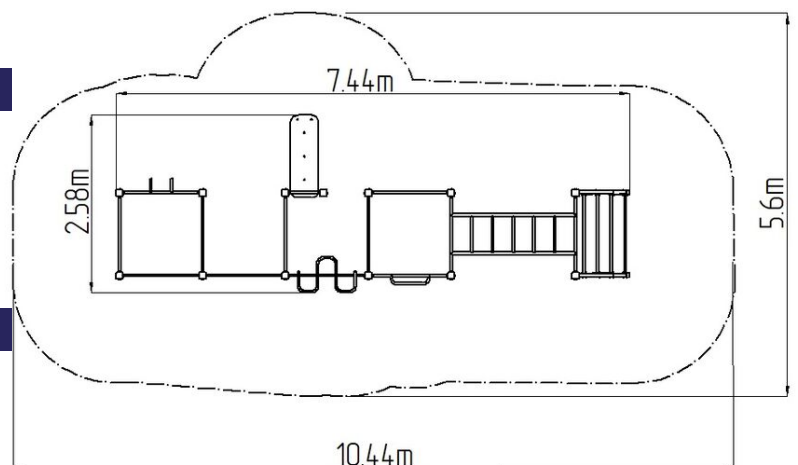
Basic information

| | |
|------------------------------|--------------------------|
| Age category | Not specified |
| Minimum area | 10,44 m x 5,6 m |
| Equipment measurements | 7,44 m x 2,58 m x 2,51 m |
| Free fall height: | 1,5 m |
| Load capacity: | 702 kg |
| Max. number of users: | 9 |
| Fall zone: EN 1177 | null |
| Designation: | exterior |
| Availability of spare parts: | supplied by the |
| Certificate of Compliance: | ČSN EN 16630 |



Material

Metal units - structural steel
Plastic units - HDPE



Finish

Duplex powder coated with coat curing
Hot-dip galvanizing

Description

The support structure of the workout set is made of structural steel which is protected against corrosion by zinc coating, resulting in a very prolonged service life of the workout elements or duplex powder coated with coat curing according to RAL to prevent corrosion. These structures are anchored to concrete footings with zinc anchors. All other metallic elements, such as handles, parallel bars etc., are also zinc coated or duplex powder coated with coat curing according to RAL to prevent corrosion or, if required by the customer, the elements can be made in stainless steel.

All bench boards and steps are made of high quality HDPE (high-pressure, full-coloured polyethylene, which is characterised by high colour stability, UV resistance and mainly safety because it is rigid and there is no risk of injury caused by sharp broken fragments). All connecting material is zinc or stainless steel coated.

Equipment

Color variants: blue-black, red-black, yellow-black, green-black, grey-black, orange-black.