

Quadralupe chain swing RH410KB - Blue (f.h. 1 m)

Product type RH-410KB-10

Basic information

Age category	2 - 15 years
Minimum area	8,9 m x 7 m
Equipment measurements	5,9 m x 1,4 m x 1,77 m
Free fall height:	1 m
Load capacity:	216 kg
Max. number of users:	4
Fall zone: EN 1177	null
Designation:	exterior
Availability of spare parts:	supplied by the
Certificate of Compliance:	ČSN EN 1176 - 1, 2

Material

Metal units - structural steel

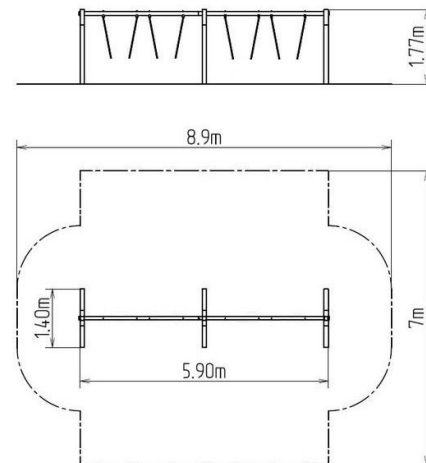
Finish

Duplex powder coated with coat curing
Hot-dip galvanizing

Description

The support structure of the swing is made from structural steel, which is zinc coated and KOMAXIT powder coated according to the RAL colour chart and is fixed in a concrete bed.

The swings are hung on a metal girder using galvanized chains. All fastening material is galvanized or stainless steel.



Equipment

We offer three color variants of the support structure - red, blue and brown.