

## Triple chain swing RH310KW - Brown (f.h. 1 m)

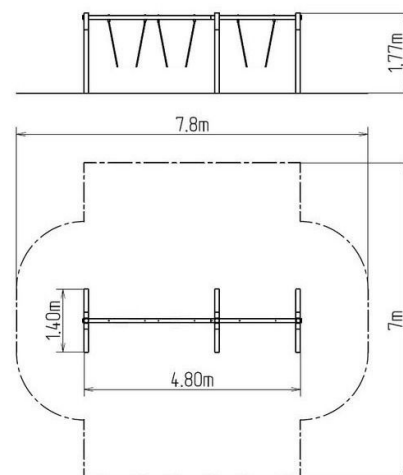
Product type RH-310KW-10

### Basic information

Age category	2 - 15 years
Minimum area	7,8 m x 7 m
Equipment measurements	4,8 m x 1,4 m x 1,77 m
Free fall height:	1 m
Load capacity:	162 kg
Max. number of users:	3
Fall zone: EN 1177	null
Designation:	exterior
Availability of spare parts:	supplied by the
Certificate of Compliance:	ČSN EN 1176 - 1, 2

### Material

Metal units - structural steel



### Finish

Duplex powder coated with coat curing  
Hot-dip galvanizing

### Description

The support structure of the swing is made from structural steel, which is zinc coated and KOMAXIT powder coated according to the RAL colour chart and is fixed in a concrete bed. The swings are hung on a metal girder using galvanized chains. All fastening material is galvanized or stainless steel.

### Equipment

We offer three color variants of the support structure - red, blue and brown.