

Triple chain swing RH320KR-Q - red (f.h. 1 m) (Coastal region)

Product type RH-320KR-10-Q

Basic information

Age category	2 - 15 years
Minimum area	8,9 m x 7 m
Equipment measurements	5,9 m x 1,4 m x 1,77 m
Free fall height:	1 m
Load capacity:	378 kg
Max. number of users:	7
Fall zone: EN 1177	null
Designation:	exterior
Availability of spare parts:	supplied by the
Certificate of Compliance:	ČSN EN 1176 - 1, 2

Material

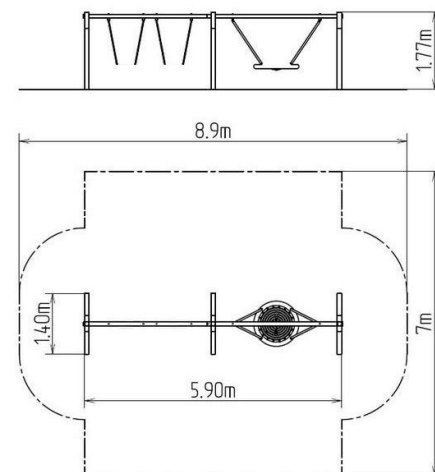
Metal units - structural steel
 The "Bird's Nest" seat - polypropylene rope with heavy duty fibres
 The hanging ropes - polypropylene with a steel internal core

Finish

Duplex powder coated with coat curing
 Hot-dip galvanizing

Description

The support structure of the swing is made from structural steel (steel profile 100 x 100 mm), which is zinc coated and KOMAXIT powder coated according to the RAL colour chart and is fixed in a concrete bed.
 The swings are hung on a metal girder using galvanized chains. The "Bird's Nest" seat is made from polypropylene rope with heavy duty fibres. The hanging ropes are made using HERKULES material (16 mm thick ropes made from polypropylene with a steel internal core). All fastening material is galvanized or stainless steel.



Equipment

We offer three color variants of the support structure - red, blue and brown.