

Trampoline TR-C180B-Q Blue (Coastal region)

Product type TR-C180-B-Q

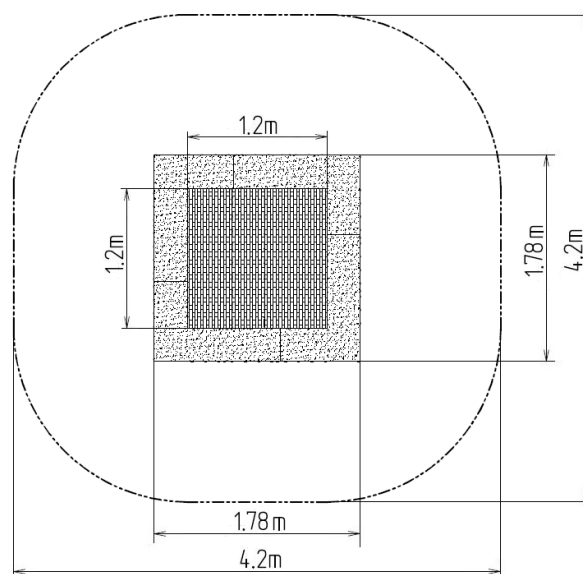
Basic information

| | |
|------------------------------|---------------------|
| Age category | 0 - 15 years |
| Minimum area | 4,2 m x 4,2 m |
| Equipment measurements | 1,78 m x 1,78 m x m |
| Free fall height: | 1.0 m |
| Load capacity: | 130 kg |
| Max. number of users: | 1 |
| Fall zone: EN 1177 | null |
| Designation: | exterior |
| Availability of spare parts: | supplied by the |
| Certificate of Compliance: | ČSN EN 1176 - 1 |

Material

Frame - stainless steel
Lamellas - plastic
Cushioning surface - PEDM/SBR
Springs - stainless steel

Finish



Description

Trampolines guarantee magnificent and safe outdoor entertainment both for children and adults. The trampoline is to be placed into a prepared excavation and it consists of three main parts: the frame, jumping area and cushioning surface. The jumping area and cushioning surface are UV resistant.

Frame - made of stainless steel, corrosion resistant. The springs are hidden below the upper part of the frame and they are covered with a cushioning surface. The remaining part of the frame is anchored in the ground.

Jumping area - consists of a large number of lamellas designed for this purpose, connected with the frame by galvanized steel cables. Cable ends are connected to the frame through springs. Lamellas are of special plastic that is abrasion proof and weather resistant. Thanks to that, children can leave their shoes on when using the trampoline. The jumping area is provided with the anti-slippery surface as well.

Cushioning surface - made of special recycled rubber mixed with EPDM. The cushioning surface is anti-slippery and it serves to soften potential falls.

Equipment

Frame, jumping area, cushioning surface, springs. Four colour versions are available - blue, green, orange and yellow, environmental friendly.