

Merry-go-round with seats KO180KW (mean 1,8 m) - brown

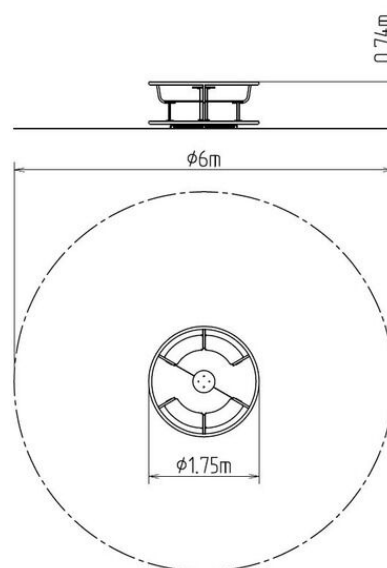
Product type KO-180KW-10

Basic information

Age category	2 - 15 years
Minimum area	6 m x 6 m
Equipment measurements	1,75 m x 1,75 m x 0,74 m
Free fall height:	0,5 m
Load capacity:	378 kg
Max. number of users:	7
Fall zone: EN 1177	null
Designation:	exterior
Availability of spare parts:	supplied by the
Certificate of Compliance:	ČSN EN 1176 - 1, 5

Material

Metal units - structural steel, non-slip sheet metal
Plastic units - HDPE



Finish

Duplex powder coated with coat curing
Hot-dip galvanizing

Description

The merry-go-round is welded from steel pipes and square profiles. All metal units are protected against corrosion by zinc coating, resulting in a very prolonged service life of the workout elements or duplex powder coated with coat curing according to RAL to prevent corrosion. The structures are fixed in a concrete bed. The merry-go-round is constructed with durability and long life in mind. The rotation hub and the seats are made from high quality HDPE plastic (high density coloured polyethylene, which is characterised by high colour stability, UV resistance but mainly safety as it doesn't break and therefore there is no danger of injury to children by sharp fragments) The platform is made from a non-slip sheet metal. All fastening material is galvanized or stainless steel.