



Special seat SN003LG (including chains)

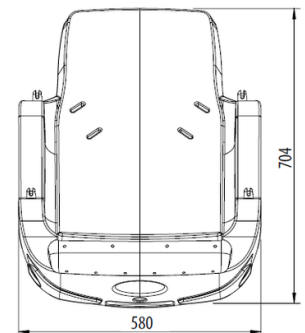
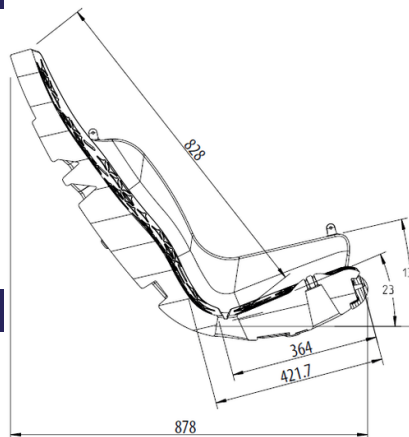
Product type SN-003LG-10

Basic information

Age category	Not specified
Minimum area	m x m
Equipment measurements	0,88 m x 0,58 m x 0,7 m
Free fall height:	1,0 m
Load capacity:	54 kg
Max. number of users:	1
Fall zone: EN 1177	null
Designation:	exterior
Availability of spare parts:	supplied by the
Certificate of Compliance:	ČSN EN 1176

Material

Seat - HDPE



Finish

Description

The Special seat is made of HDPE with shock-absorbing bumper. The chains are stainless steel, resulting in a very prolonged service life of the product. All fastening material is stainless steel.