



UNIVERSAL 4U159KW-B - brown

Product type 4U-159KW-10-B

Basic information

Age category	1 - 10 years
Minimum area	6,81 m x 7 m
Equipment measurements	3,81 m x 2,45 m x 2,41 m
Free fall height:	0.6 m
Load capacity:	432 kg
Max. number of users:	8
Fall zone: EN 1177	null
Designation:	exterior
Availability of spare parts:	supplied by the
Certificate of Compliance:	ČSN EN 1176 - 1, 2, 3

Material

Metal parts - structural steel
 Plastic parts - HDPE, polyamide
 Slide - fibreglass
 Platforms - HPL
 Seat - rubber with an aluminum insert

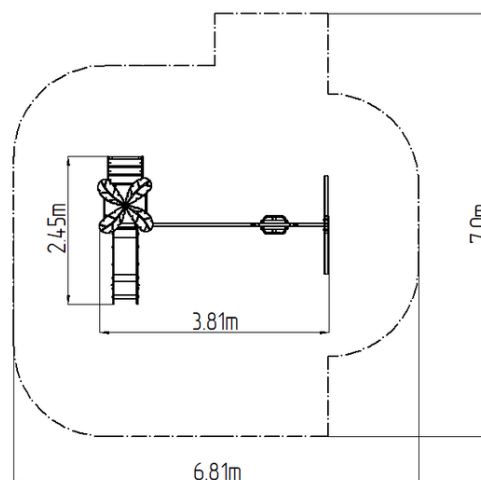
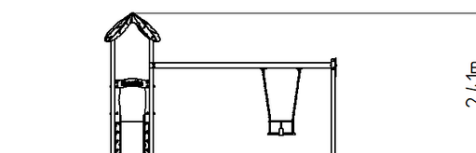
Finish

Duplex powder coated with coat curing
 Hot-dip galvanizing

Description

The support structure of the tower unit is made of structural steel which is protected against corrosion by zinc coating, resulting in a very prolonged service life or duplex powder coated with coat curing according to RAL to prevent corrosion. All other metallic elements are also zinc coated or duplex powder coated with coat curing according to RAL to prevent corrosion.

The slide is made from fibreglass. The surfaces of the slides, barriers, etc. are made from high quality HDPE plastic (high density coloured polyethylene, which is characterised by high colour stability, UV resistance but mainly safety as it doesn't break and therefore there is no danger of injury to children by sharp fragments). The platform is made from HPL (High-pressure laminate, which is characterised by high colour stability, UV resistance and water resistance). The swing is hung on a metal girder using galvanized chains. The seat is made of rubber and is reinforced with an aluminum insert. The chains are stainless steel, resulting in a very prolonged service life of the product. All fastening material is stainless steel.



Equipment

Tower, slide, roof in the shape of a leaf, sloping ramp with steps and HDPE handles, 2x barrier, BABY seat.